

Technical Data Sheet

Date: 03/11/2022

4x32A CEE N. Panel Mount Socket Outlet

Ref. No: 3126-304-1601



Pack Unit

10



Weight

157 gr.

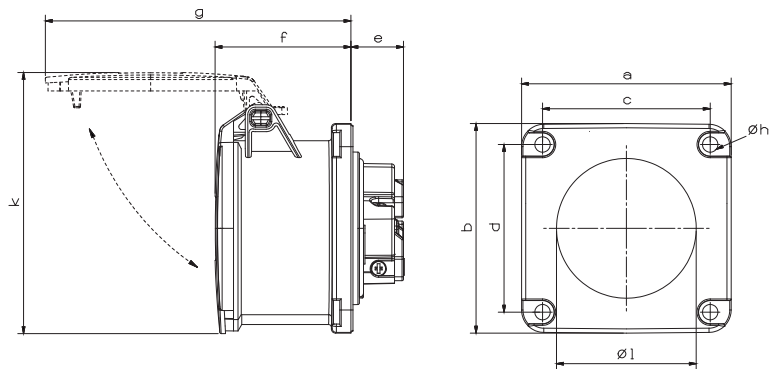


Technical Informations

Ampere	32A
Voltage	380 - 415 V. AC
Hertz	50 - 60 Hz
Protection Class	IP 44
Clock Postion	6h
Number Of Poles	4 (3P + E)
Contact Material	Brass (CuZn)
Housing Material	PA6
Connection Type	Screw
Operation Temp. (-25 / + 40 IEC 60309)	-25 / +80 (1 hour -100° C)

Dimensions

a	70	e	21
b	70	f	58
c	56	g	122
d	56	Øh	5,5
Cable Diameter (Min.)	2,5 mm ²	Øl	56
Cable Diameter (Max.)	10 mm ²	k	98



Different Earth Contact Positions (Clock Positions)

3126-321-1170-2h	3126-321-1670-3h	3126-321-0770-4h	3126-321-0370-5h	3126-321-1670	3126-321-0301-7h	3126-321-0970-9h	3126-321-1170-10h	3126-321-1670-11h



Tel: +90 232 880 90 01
Fax: +90 232 880 90 02



info@tpelectric.com.tr



Kemalpaşa O.S.B. 600 Sk. No:364
35730 Kemalpaşa - İZMİR / TÜRKİYE