

# Technical Data Sheet

Date: 03/11/2022

## 4x16A CEE Norm Surface Mount App. Inlet

Ref. No: 3123-312-1600



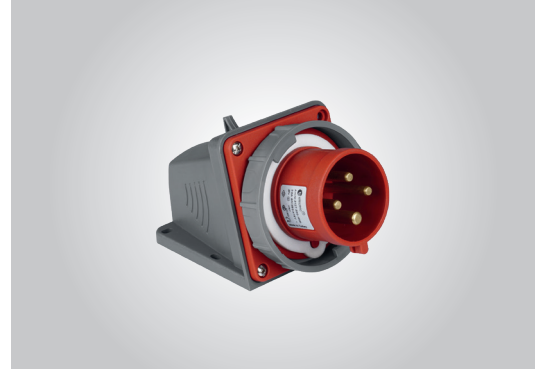
Pack Unit

5



Weight

286 gr.

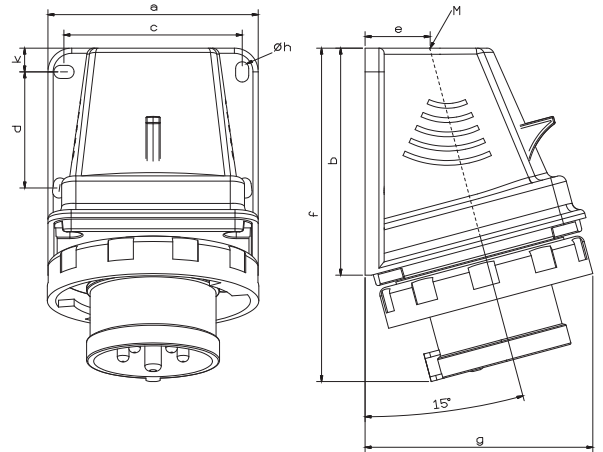


## Technical Informations

|                  |                            |
|------------------|----------------------------|
| Ampere           | 16A                        |
| Voltage          | 380 - 415 V. AC            |
| Hertz            | 50 - 60 Hz                 |
| Protection Class | IP 67                      |
| Clock Postion    | 6h                         |
| Number Of Poles  | 4 (3P + E)                 |
| Contact Material | Brass (CuZn)               |
| Housing Material | PA6                        |
| Connection Type  | Screw                      |
| Operation Temp.  | -25 / +80 (1 hour -100° C) |
|                  | (-25 / + 40 IEC 60309)     |

## Dimensions

|                       |                   |    |         |
|-----------------------|-------------------|----|---------|
| a                     | 88,5              | e  | 23,5    |
| b                     | 95,5              | f  | 140     |
| c                     | 75                | g  | 93      |
| d                     | 49                | k  | 10      |
| Cable Diameter (Min.) | 1 mm <sup>2</sup> | Øh | 5,5     |
| Cable Diameter (Max.) | 4 mm <sup>2</sup> | M  | M25x1,5 |



## Different Earth Contact Positions (Clock Positions)

|                  |                  |                  |                  |               |                  |                  |                   |                   |
|------------------|------------------|------------------|------------------|---------------|------------------|------------------|-------------------|-------------------|
|                  |                  |                  |                  |               |                  |                  |                   |                   |
| 3123-312-1100-2h | 3123-312-1600-3h | 3123-312-0700-4h | 3123-312-0300-5h | 3123-312-1600 | 3123-312-0300-7h | 3123-312-0900-9h | 3123-312-1100-10h | 3123-312-1600-11h |



Tel: +90 232 880 90 01  
Fax: +90 232 880 90 02



info@tpelectric.com.tr



Kemalpaşa O.S.B. 600 Sk. No:364  
35730 Kemalpaşa - İZMİR / TÜRKİYE