

Technical Data Sheet

Date: 16/06/2023

3x16A CEE N. Panel Mount Socket (75x75)

Ref. No: 3121-322-0975



Pack Unit

10



Weight

143 gr.

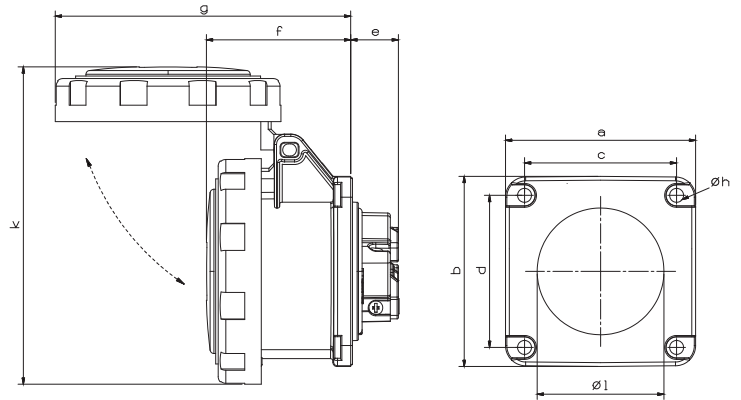


Technical Informations


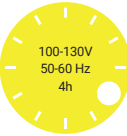



Ampere	16A
Voltage	200 - 250 V. AC
Hertz	50 - 60 Hz
Protection Class	IP 67
Clock Position	6h
Number Of Poles	3 (2P + E)
Contact Material	Brass (CuZn)
Housing Material	PA6
Connection Type	Screw
Operation Temp. (-25 / + 40 IEC 60309)	-25 / +80 (1 hour -100° C)

Dimensions

a	75	e	25
b	75	f	57
c	60	g	102
d	60	Øh	5,5
Cable Diameter (Min.)	1 mm ²	Øl	44
Cable Diameter (Max.)	4 mm ²	k	108



Different Earth Contact Positions (Clock Positions)

 >50V 300-500 Hz 2h 3121-322-1175-2h	 100-130V 50-60 Hz 4h 3121-322-0775-4h	 200-250V 50-60 Hz 6h 3121-322-0975	 480-500V 50-60 Hz 7h 3121-322-0375-7h	 380-415V 50-60 Hz 9h 3121-322-1675-9h
---	---	--	---	---



Tel: +90 232 880 90 01
Fax: +90 232 880 90 02



info@tpelectric.com.tr



Kemalpaşa O.S.B. 600 Sk. No:364
35730 Kemalpaşa - İZMİR / TÜRKİYE