

Technical Data Sheet

Date: 03/11/2022

4x32A CEE N. Angled Panel Mount Socket

Ref. No: 3026-309-1600



Pack Unit

10



Weight

175 gr.



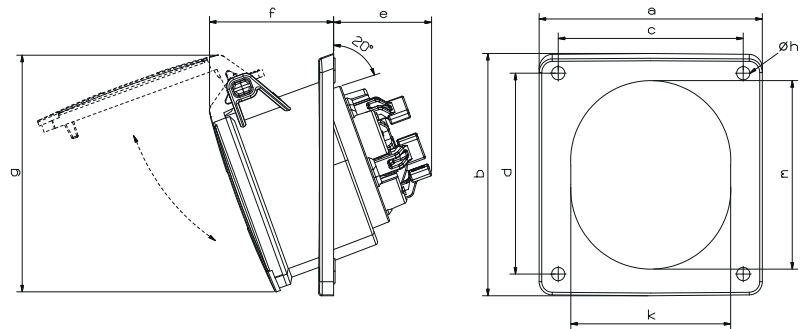
Technical Informations

Quick Connection

| | |
|------------------|----------------------------|
| Ampere | 32A |
| Voltage | 380 - 415 V. AC |
| Hertz | 50 - 60 Hz |
| Protection Class | IP 44 |
| Clock Postion | 6h |
| Number Of Poles | 4 (3P + E) |
| Contact Material | Brass (CuZn) |
| Housing Material | PA6 |
| Connection Type | Quick |
| Operation Temp. | -25 / +80 (1 hour -100° C) |
| | (-25 / + 40 IEC 60309) |

Dimensions

| | | | |
|-------------------------|---------------------|----|----|
| a | 83 | e | 43 |
| b | 90 | f | 54 |
| c | 70 | g | 98 |
| d | 76 | Øh | 5 |
| Cable Dia. (Flex. Min.) | 2,5 mm ² | Øl | 66 |
| Cable Dia. (Flex. Max.) | 6 mm ² | k | 76 |
| Cable Dia. (Rigid Min.) | 2,5 mm ² | | |
| Cable Dia. (Rigid Max.) | 10 mm ² | | |



Different Earth Contact Positions (Clock Positions)

| | | | | | | | | |
|------------------------------|-----------------------------------|--------------------------------|--------------------------------|--------------------------------|--------------------------------|--------------------------------|-------------------------------|------------------------------|
| -50V 300-500 Hz 2h | 380V-50 Hz 440V-60Hz 3h | 100-130V 50-60 Hz 4h | 600-690V 50-60 Hz 5h | 380-415V 50-60 Hz 6h | 480-500V 50-60 Hz 7h | 200-250V 50-60 Hz 9h | -50V 100-300 Hz 10h | 440-460V 60 Hz 11h |
| 3026-309-1100-2h | 3026-309-1600-3h | 3026-309-0700-4h | 3026-309-0300-5h | 3026-309-1600 | 3026-309-0300-7h | 3026-309-0900-9h | 3026-309-1100-10h | 3026-309-1600-11h |



Tel: +90 232 880 90 01
Fax: +90 232 880 90 02



info@tpelectric.com.tr



Kemalpaşa O.S.B. 600 Sk. No:364
35730 Kemalpaşa - İZMİR / TÜRKİYE