

Technical Data Sheet

Date: 23/08/2022

Rail Mount Socket

Ref. No: 3101-327-0600



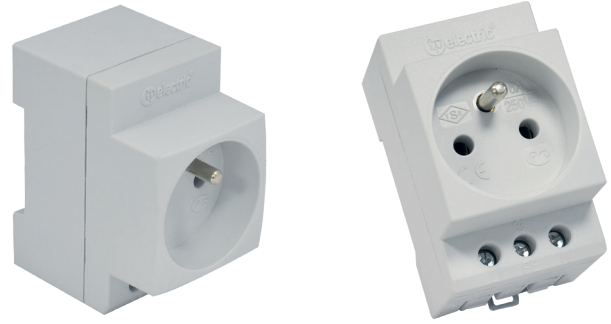
Pack Unit

30



Weight

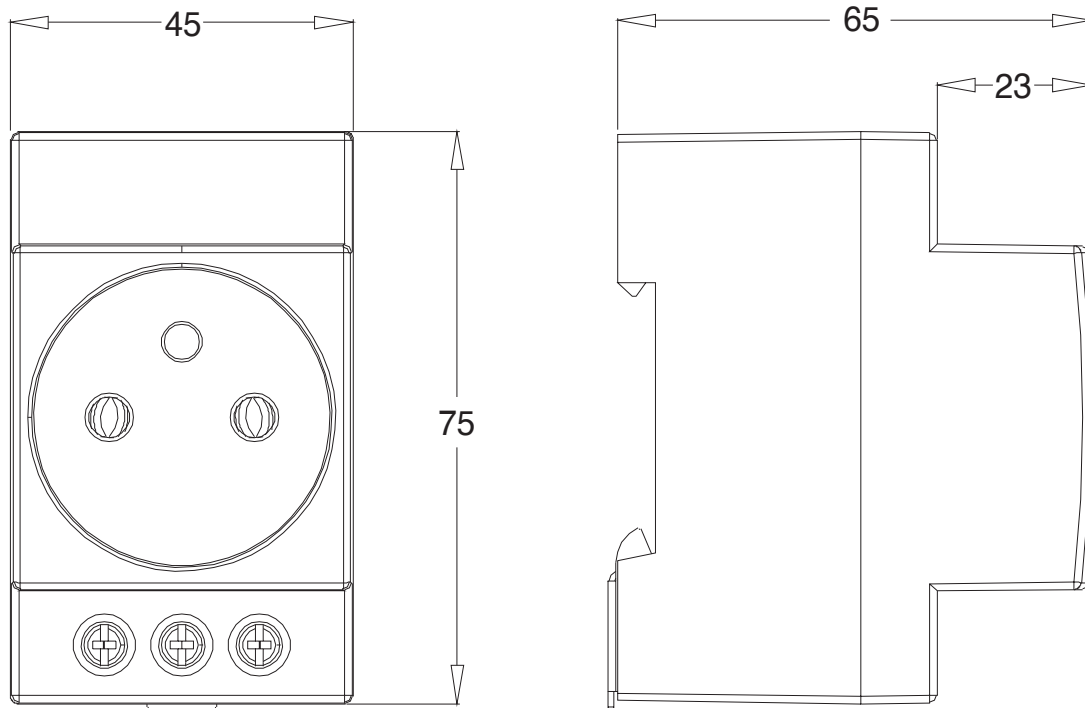
88 gr.



Technical Informations

Version	French
Ampere	16A
Voltage	250 V. AC
Protection Class	IP 20
Number Of Poles	3 (2P + E)
Contact Material	MS 58
Contact Carrier	PC / Polycarbonate
Plastic Material	PA6 / Polyamide 6
Connection Type	Screw
Operation Temperature	-15 / +70 (±2)

Dimensions



Tel: +90 232 880 90 01
Fax: +90 232 880 90 02



info@tpelectric.com.tr



Kemalpaşa O.S.B. 600 Sk. No:364
35730 Kemalpaşa - İZMİR / TÜRKİYE