

# Technical Data Sheet

Date: 04/26/2022

## 1x16A IP 68 Panel Mount Socket

Ref. No: 3101-375-0900



Pack Unit

15



Weight

110 gr.



## Technical Informations

Version	German (DIN)
Ampere	16A
Voltage	250 V. AC
Protection Class	IP 68
Number Of Poles	3 (2P + E)
Contact Carrier	PC
Plastic Material	Thermoplastic Elastomer
Connection Type	Screw
Operation Temperature	-15 / +70 (±2)



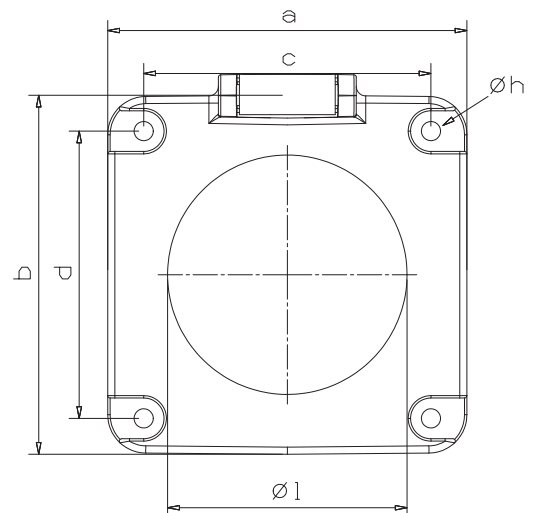
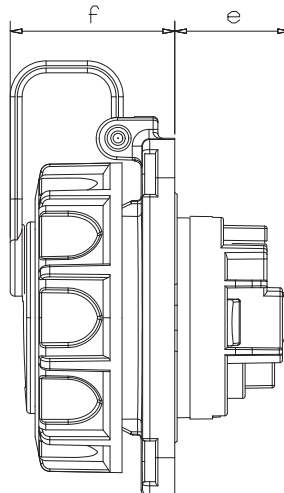
Compliance with European Union 2011/65 /EU RoSH Directives



TS IEC 60884-1 / TS 40 NATIONAL

## Dimensions

a	75
b	75
c	60
d	60
e	24
f	34,5
Øh	4
Øl	50
Cable Diameter	1-2x2,5



Tel: +90 232 880 90 01  
Fax: +90 232 880 90 02



info@tpelectric.com.tr



Kemalpaşa O.S.B. 600 Sk. No:364  
35730 Kemalpaşa - İZMİR / TÜRKİYE