

# Technical Data Sheet

Date: 07/04/2023

## Portable Hand Lamp (10 mt. Wired)

Ref. No: 3116-401-0310



Pack Unit

4



Weight

434 gr.



## Technical Informations

Ampere	16A
Voltage	250 V AC
Protection Class	IP 20
Plastic Material	Thermoplastic Elastomer
Connection Type	Screw
Operation Temperature	-15 / +70 (±2)

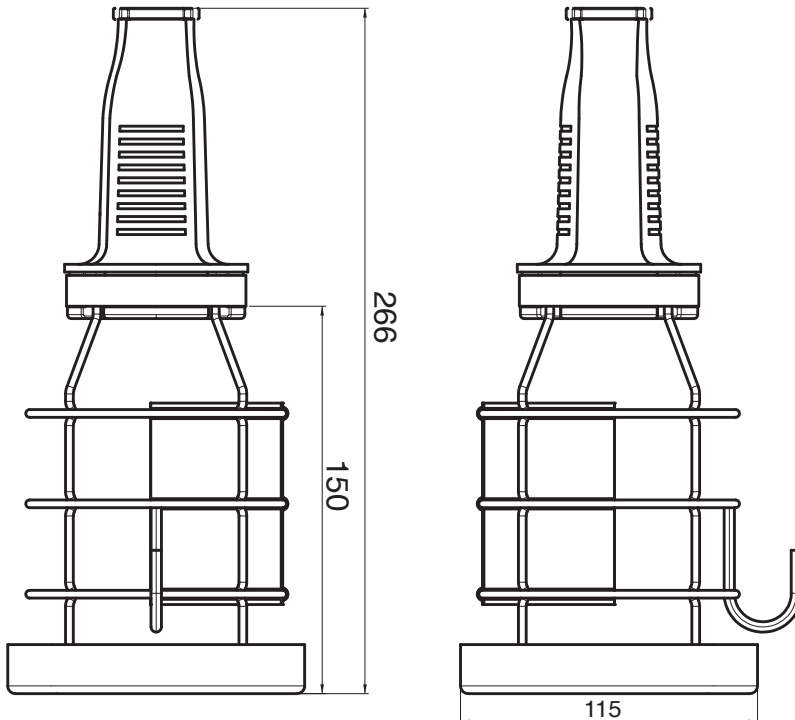


Compliance with European Union 2011/65 /EU RoSH Directives



TS IEC 60884-1 / TS 40  
NATIONAL

## Dimensions



Tel: +90 232 880 90 01  
Fax: +90 232 880 90 02



info@tpelectric.com.tr



Kemalpaşa O.S.B. 600 Sk. No:364  
35730 Kemalpaşa - İZMİR / TÜRKİYE